



Sentry High Bay Gear Tray Option



Sentry High Bay

General Description

A.L.P.'s newest addition to the Sentry family of gasketed enclosures, the Sentry Highbay is suitable for a wide range of highbay applications and an ideal replacement for 150-400W metal halide and high pressure sodium lighting systems. This high lumen fluorescent option offers better lumen maintenance than HID, with a contoured lens featuring molded linear ridges to diffuse the lamp image and minimize glare. A unique symmetrically hinged gear tray provides for easy maintenance. Suitable for environments in which ambient temperatures do not exceed 25°C.

Features and Benefits

- Contoured component surfaces reduce the buildup of debris and permit easy cleaning
- Symmetrically hinged universal gear tray for trouble-free maintenance
- Stainless steel cam-action latches with tamper-proof locking capability by adding tamper screw. Tamper proof screw sold separately
- Universal mounting bracket hardware permits surface and suspended mounting
- The back of the housing has a 10 degree slope to satisfy the requirements in the food industry which are more stringent than NSF standards

Approvals and/or Listings

- U.L. and C.U.L. recognized components (pending)
- NSF Splash Zone 2 (pending)
- IP65 (pending)
- IP67 (pending)
- NEMA 4X (pending)
- Hose Down – 1300 PSI (pending)

Applications

Food processing facilities, sports complexes, warehouses, outdoor canopies, cold storage facilities, and manufacturing facilities.



Sentry High Bay Specifications

Housing

Reinforced polyester compound

UL 5VA flammability and F1 weatherability rated

Lenses

Clear impact modified acrylic or clear UV stabilized polycarbonate

Gasketing

En-Seal™ continuous poured gasket

Gear Tray

Pre-painted white cold-rolled steel with 87% reflectivity

Reflector

Miro®4 reflector available in narrow distribution

Latch

Captive, tamper-proof stainless steel cam-action latch

Mounting Bracket

A stainless steel mounting bracket designed for surface, suspended chain and aircraft cable mounting applications

Conduit Fitting

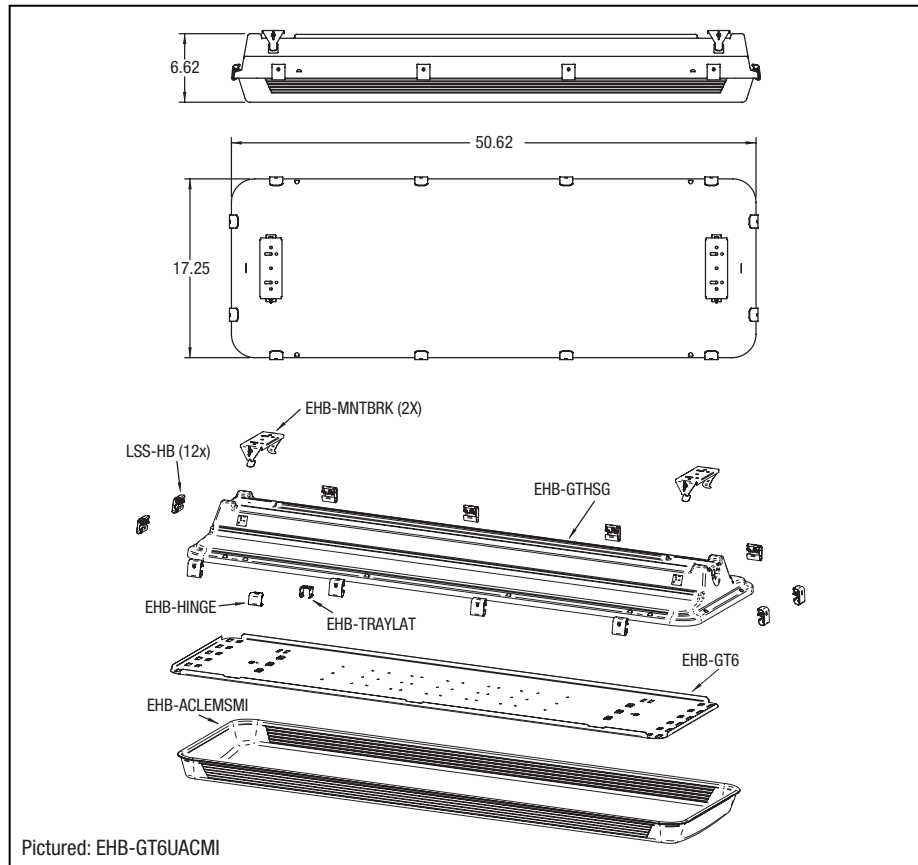
7/8" Housing end holes (2) are available for use of a 1/2" NPT conduit fitting

The ALP #DC-2 Conduit fitting is recommended and should have silicon sealant applied to internal threads when installed for wet locations

Lamp Configuration

4ft, 4 and 6 lamp
T8, T5, T5HO

Sentry High Bay Gear Tray Option



Kit Number	Kit Description	
EHB-GT6UACMI	6-Lamp Sentry Gear Tray High Bay with Medium Impact Acrylic Lens	
Includes	Components Description	Qty
EHB-GTHSG*	Gear tray version high bay housing	1
EHB-GT6	6-lamp gear tray	1
EHB-HINGE	Gear tray hinging bracket	3
EHB-TRAYLAT	Gear tray stainless steel traylat	2
EHB-ACLENSMI	Medium acrylic high bay lens	1
LSS-HB	Stainless steel high bay latch	12
FEPW	7/8" hole dust cover plug	1
EHB-MNTBRK	High bay mounting brkt asm set	1

Kit Number	Kit Description	
EHB-GT4UACMI	4-Lamp Sentry Gear Tray High Bay with Medium Impact Acrylic Lens	
Includes	Components Description	Qty
EHB-GTHSG*	Gear tray version high bay housing	1
EHB-GT4	4-lamp gear tray	1
EHB-HINGE	Gear tray hinging bracket	3
EHB-TRAYLAT	Gear tray stainless steel traylat	2
EHB-ACLENSMI	Medium acrylic high bay lens	1
LSS-HB	Stainless steel high bay latch	12
FEPW	7/8" hole dust cover plug	1
EHB-MNTBRK	High bay mounting brkt asm set	1

*Housings are designed for assembly with Plastite 48-2 trilobular screws.

Optional Kit Components		
Catalog Number	Components Description	Qty
EHB-PCLENS	Polycarbonate high bay lens	1
EHB-GTREF6LM4N**	6-lamp gear tray narrow reflector	1
EHB-GTREF4LM4N**	4-lamp gear tray narrow reflector	1
DC-2	1/2-14 npt die cast water-tight fitting	1
TPS-005	#8-32 x 3/8 tamper proof screw	12

** EHB-GTREF6LM4N reflector is used with the EHB-GT6 gear tray
** EHB-GTREF4LM4N reflector is used with the EHB-GT4 gear tray

Optional Hanging Components		
Catalog Number	Components Description	Qty
1018000	Gripper	2
5011000	V-Hook	2
CABLE-XXX***	Cable (variety of styles and sizes available)	2

***Speak with our customer service representative to determine the exact Cable for your application.



NSF Product and Service Listings

These NSF Official Listings are current as of **Monday, September 13, 2010** at 12:15 a.m. Eastern Time. Please [contact NSF International](#) to confirm the status of any Listing, report errors, or make suggestions.

Alert: NSF is concerned about fraudulent downloading and manipulation of website text. Always confirm this information by clicking on the below link for the most accurate information:

<http://www.nsf.org/Certified/food/Listings.asp?Standard=002&Company=01410&>

NSF/ANSI STANDARD 2 Food Equipment

ALP Lighting & Ceiling Product, Inc.

6333 Gross Point Road

Niles, IL 60714-3915

United States

773-774-9550

[Visit this company's website](#)

Facility : Apodaca, Mexico

COMPONENTS:

Fluorescent Lighting Fixture Enclosure for Splash Zone Application

EHB-GT

EHB-HS

F220-2

F240-2

F240-2EV

F240D-2

F296-2

F296-2EV

TDW-248

TDW-248-D

TDW-296

TDW-296-D

TMW-240

TMW-248

TMW-296

TMWS-240-8L

TMWS-296-14L

TSW-240