

DECLARACION DE CONFORMIDAD  
DECLARATION OF CONFORMITY



La Empresa: **BASOR ELECTRIC, S.A.**  
The Company: **BASOR ELECTRIC, S.A.**

Declara que el producto:

**BASORPLAST BPI**

Declares that the product:

**BASORPLAST BPI**

Instalado de acuerdo con las normas de instalación, instrucciones del fabricante y conforme a las reglas profesionales, debidamente mantenido y utilizado en las aplicaciones para las que está previsto.

Installed in accordance with the installation standards, manufacturer's instructions and professional rules, and duly maintained and used for the applications for which it is intended.

**Cumple con los requisitos esenciales de las Directivas del Consejo:**

**Complies with the Council Directives' essential requirements:**

73/23 CEE y su modificación 93/68 CEE (Directiva de Baja Tensión)

73/23 CEE and its amendment 93/68 CEE (Low Voltage Directive)

Incorporado en la Legislación Española en: R.D. 7/1988 y su modificación R.D. 154/1995.

Incorporated in the Spanish Legislation in: R.D. 7/1988 and its amendment R.D. 154/1995.

**Es adecuado y seguro para el uso a que está destinado y es conforme con la siguiente norma:**

**Is suitable and safe for the intended use and is in conformity with the following standard:**

UNE EN 61537

**Información adicional:**

**Additional information:**

Este producto está previsto para ser instalado y mantenido por un profesional, puede ser usado por una persona no formada para reemplazamiento de uno idéntico.

This product is intended to be installed and maintained by skilled professionals, and may only be manipulated by non-skilled people in order to substitute it for an identical device.

Año de fijación del marcado CE:

2009

Year of affixing of the CE marking:

Lugar y Fecha:

Place and date:

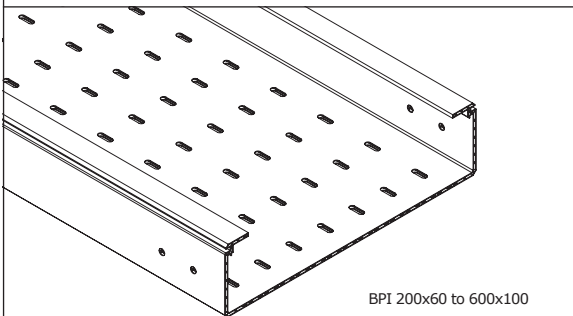
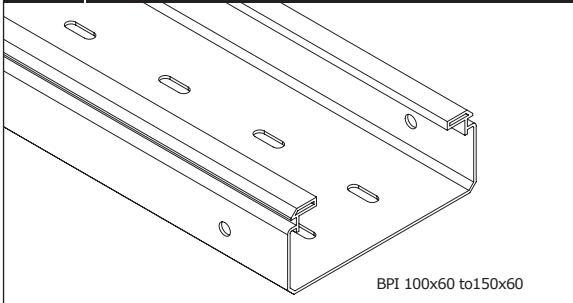
Gandía Marzo 2009

Gandía March 2009

Departamento Técnico



**BASORPLAST BPI**



**Models (HxB):**

60x100; 60x150; 60x200; 60x300; 100x200; 100x300; 100x400; 100x600.

**Finishes:** PVC M1

**Characteristics of cable tray:**

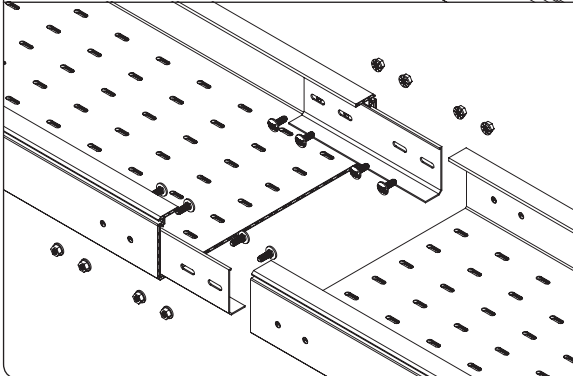
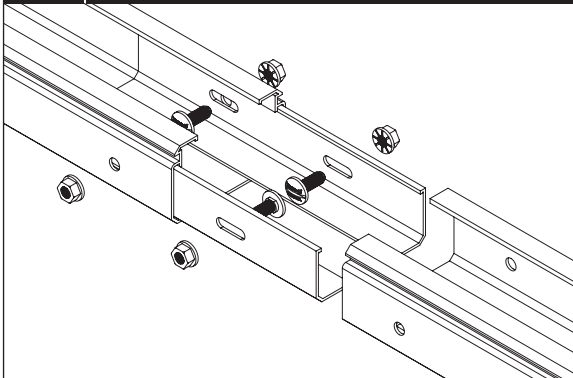
- Non-metallic system
- Impact resistance: 2J, except for 60x100 which has 10J
- Minimum temperature of -20°C
- Maximum temperature of 60°C
- Non-flame propagating component
- Without electrical continuity characteristic
- Electrically non-conductive system component
- Interior and exterior high level of protection against corrosive and polluting substances
- M1 fire rating, UNE 23727
- Incandescent self-extinguishing wire at 960°C, UNE 60695-2-1/1
- Inflammability UL 94-V0, AISI/UL 94-1995
- Oxygen level LOI>50%, UNE-EN ISO 4589

Classification according to the free base area:

Non-perforated tray: Classification A  
Perforated tray:

Base Models	Classification
100	B
150	B
200	B
300	C
400	B
600	B

**INSTRUCTIONS FOR USE**



- For the assembly, two union joints and four M8 PVC bolt sets are needed for each stretch (8 for H100 models).
- The tray installation for an electrical system should NOT run under other types of canalizations such as water, vapour or gas canalizations.
- To guarantee a good ventilation, we recommend installing the trays keeping a minimum distance of 250 mm between each tray.
- Trays which are placed on supports shall have to keep a gap of 20 mm from the wall to allow for a correct ventilation of the cables.

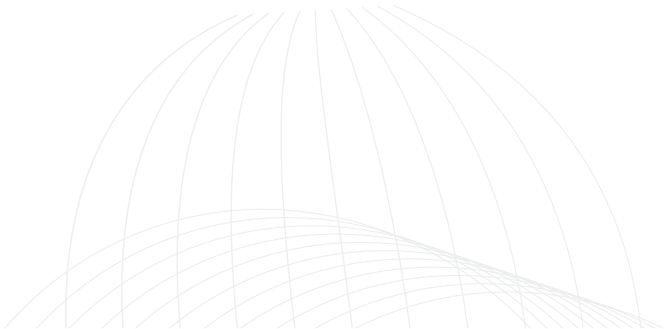
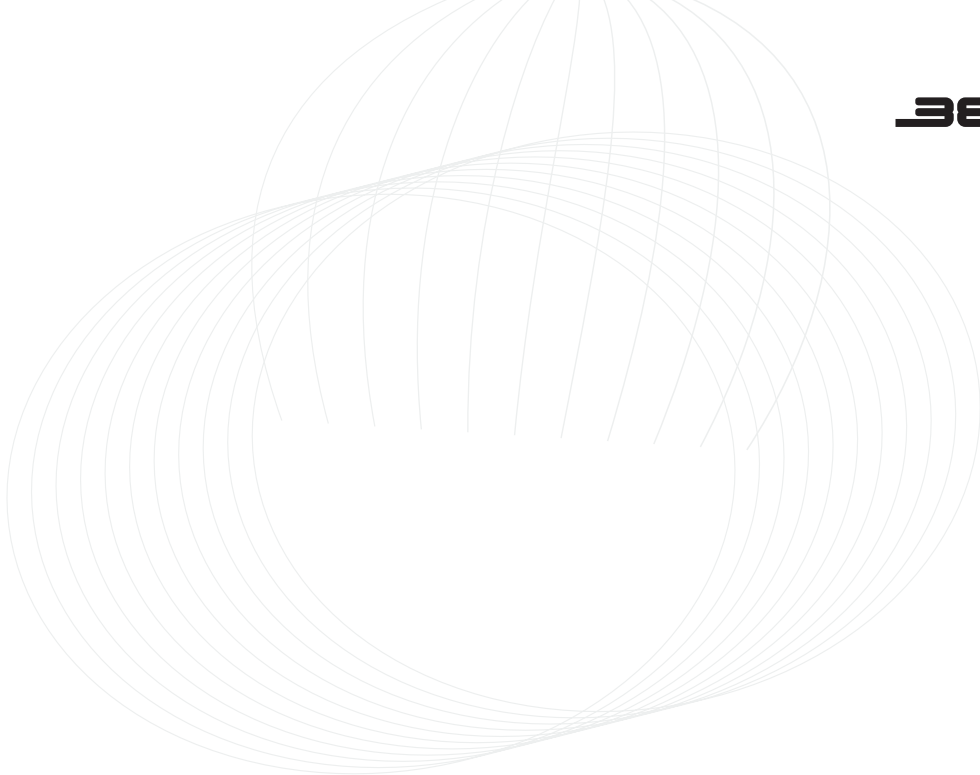
**Accessories:**

This family has large array of accessories: Cover, divider, horizontal bend, vertical inside, vertical outside, union joint, articulated union joint, angle joint.

## SAVE WORKING LOAD

BASORPLAST	SWL (Kg/m)
	Distance 1.5 m
BPI-60x100	23
BPI-60x150	28
BPI-60x200	39
BPI-60x300	45
BPI-100x200	79
BPI-100x300	92
BPI-100x400	101
BPI-100x600	118

Note: These SWL are below a temperature of 40°C with a distance of 1.5 m between supports and below 60°C with a distance of 1 m between supports.



**DECLARACION DE CONFORMIDAD  
DECLARATION OF CONFORMITY**



La Empresa: **BASOR ELECTRIC, S.A.**  
The Company: **BASOR ELECTRIC, S.A.**

Declara que el producto:  
**BASORPLAST BPI CON TAPA**  
Declares that the product:  
**BASORPLAST BPI WITH COVER**

Instalado de acuerdo con las normas de instalación, instrucciones del fabricante y conforme a las reglas profesionales, debidamente mantenido y utilizado en las aplicaciones para las que está previsto.  
Installed in accordance with the installation standards, manufacturer's instructions and professional rules, and duly maintained and used for the applications for which it is intended.

**Cumple con los requisitos esenciales de las Directivas del Consejo:  
Complies with the Council Directives' essential requirements:**

73/23 CEE y su modificación 93/68 CEE (Directiva de Baja Tensión)  
73/23 CEE and its amendment 93/68 CEE (Low Voltage Directive)

Incorporado en la Legislación Española en: R.D. 7/1988 y su modificación R.D. 154/1995.  
Incorporated in the Spanish Legislation in: R.D. 7/1988 and its amendment R.D. 154/1995.

**Es adecuado y seguro para el uso a que está destinado y es conforme con la siguiente norma:  
Is suitable and safe for the intended use and is in conformity with the following standard:**

UNE EN 50085-1  
UNE EN 50085-2-1

**Información adicional:  
Additional information:**

Este producto está previsto para ser instalado y mantenido por un profesional, puede ser usado por una persona no formada para reemplazamiento de uno idéntico.

This product is intended to be installed and maintained by skilled professionals, and may only be manipulated by non-skilled people in order to substitute it for an identical device.

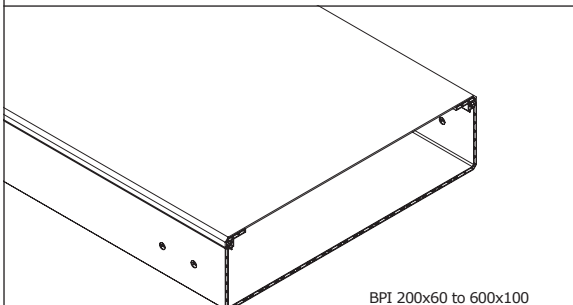
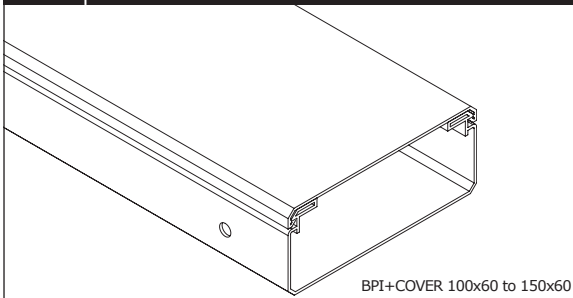
Año de fijación del marcado CE: **2009**  
Year of affixing of the CE marking:

Lugar y Fecha:  
Place and date:

Gandía Marzo 2009  
Gandía March 2009

Departamento Técnico

**BPI+COVER**



**Models (HxB):**

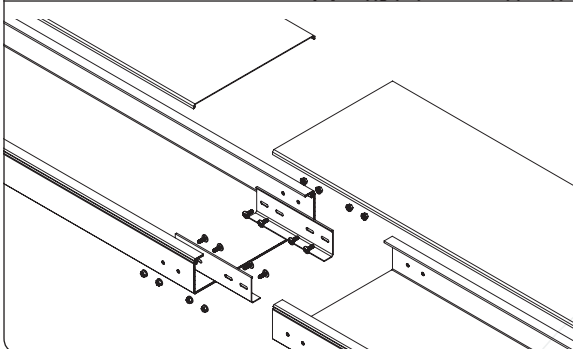
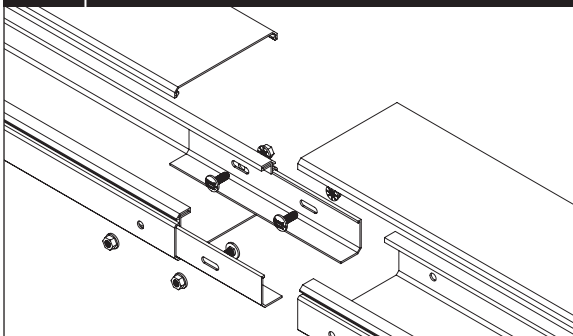
60x100; 60x150; 60x200; 60x300; 100x200; 100x300; 100x400; 100x600.

**Finishes:** PVC M1

**Characteristics of the trunking:**

- Non-metallic system
- Impact resistance: 20J, except for 60x100 which 10J
- Minimum temperature of -15°C
- Maximum temperature of 60°C
- Non-flame propagating component
- Without electrical continuity characteristic
- With electrical insulating characteristic
- Level of protection against the penetration of solid substances: UNE 20.234:  
 Non-perforated BPI + Cover: IP4X  
 Perforated BPI + Cover: IP2X
- Level of protection against mechanical damages, UNE-EN 50.102:  
 IK07 (IK10 with supplementary piece)
- Interior and exterior high level of protection against corrosive and polluting substances
- With access cover which can be opened without the need of tools.  
 In case supplementary piece needed to use a screwdriver
- M1 fire rating, UNE 23727
- Incandescent self-extinguishing wire at 960°C, UNE 60695-2-1/1
- Inflammability UL 94-V0, AISI/UL 94-1995
- Oxygen level LOI>50%, UNE-EN ISO 4589

**INSTRUCTIONS FOR USE**



- They are mounted using two union joints per piece with two M8 PVC bolts at height 60 and four at height 100.
- The tray installation for an electrical system should NOT run under other types of canalizations such as water, vapour or gas canalizations.

**Accessories:**

This family has large array of accessories: Divider, horizontal bend, vertical inside, vertical outside, end cover, lateral junction piece, joint plate, articulated joint, angle joint.